

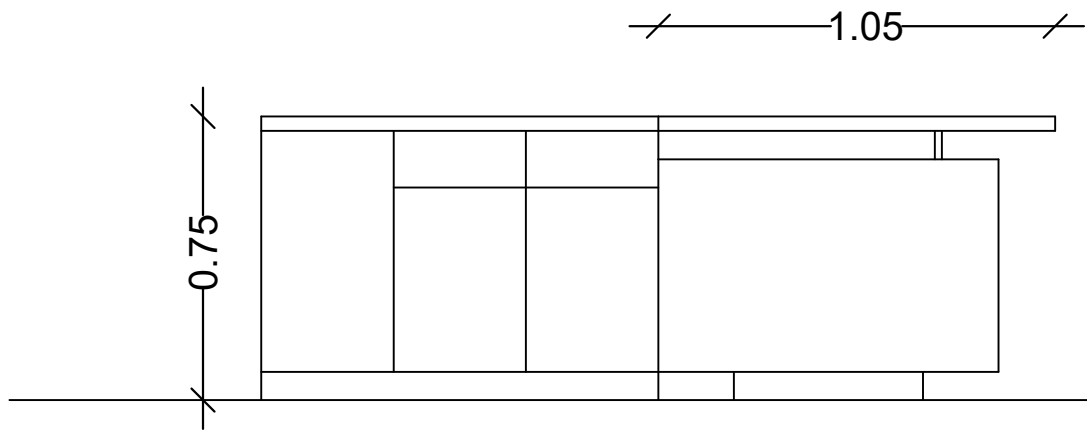
NOTES:

1. THIS DRAWING IS ISSUED FOR CONSTRUCTION AND SHOULD BE USED ONLY FOR THE PURPOSE IT IS ISSUED FOR.
2. ALL DIMENSIONS ARE FROM UNFINISHED TO UNFINISHED SURFACES UNLESS OTHERWISE MENTIONED
3. DO NOT SCALE THIS DRAWING. ALL DIMENSIONS ARE IN MM.
4. ANY DISCREPANCY FOUND IN DRAWINGS SHOULD BE BROUGHT TO THE NOTICE OF THE ARCHITECT BEFORE COMMENCING ANY FURTHER WORK.
5. EXTERNAL PIPELINES TO BE MAINTAINED.
6. ALL CONNECTIONS TO BE CONFIRMED WITH THE ENGINEERS BEFORE PROCEEDING WITH THE WORK.

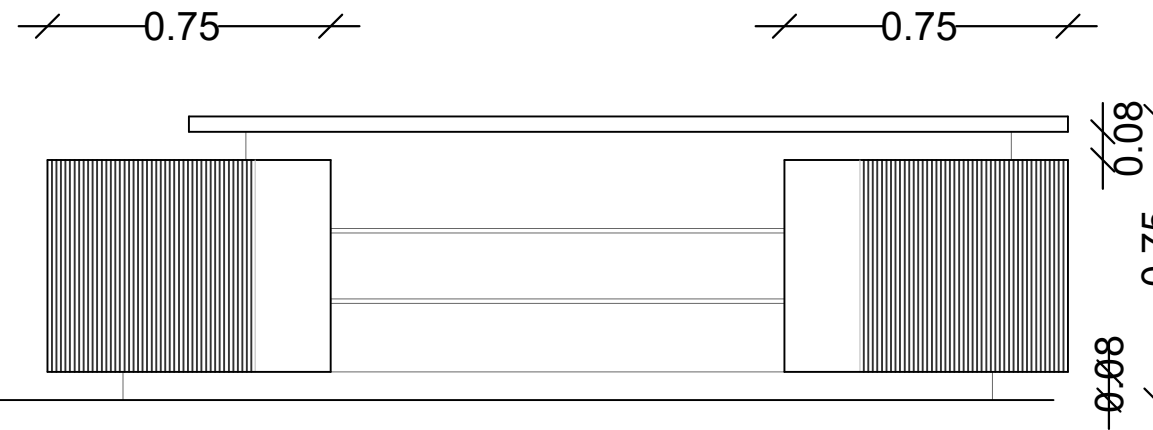
MITIMITRA CONSULTANTS PVT LTD HOLDS THE COPYRIGHT OF THIS DESIGN AS PER THE INDIAN COPY RIGHT ACT, 1957 CLAUSE NO 17 & 18 IN THE CAPACITY OF THE AUTHOR. THIS DRAWING SHOULD NOT BE COPIED, REPRODUCED OR USED WITHOUT THE EXPRESS PERMISSION OF MCPL.

REVISIONS

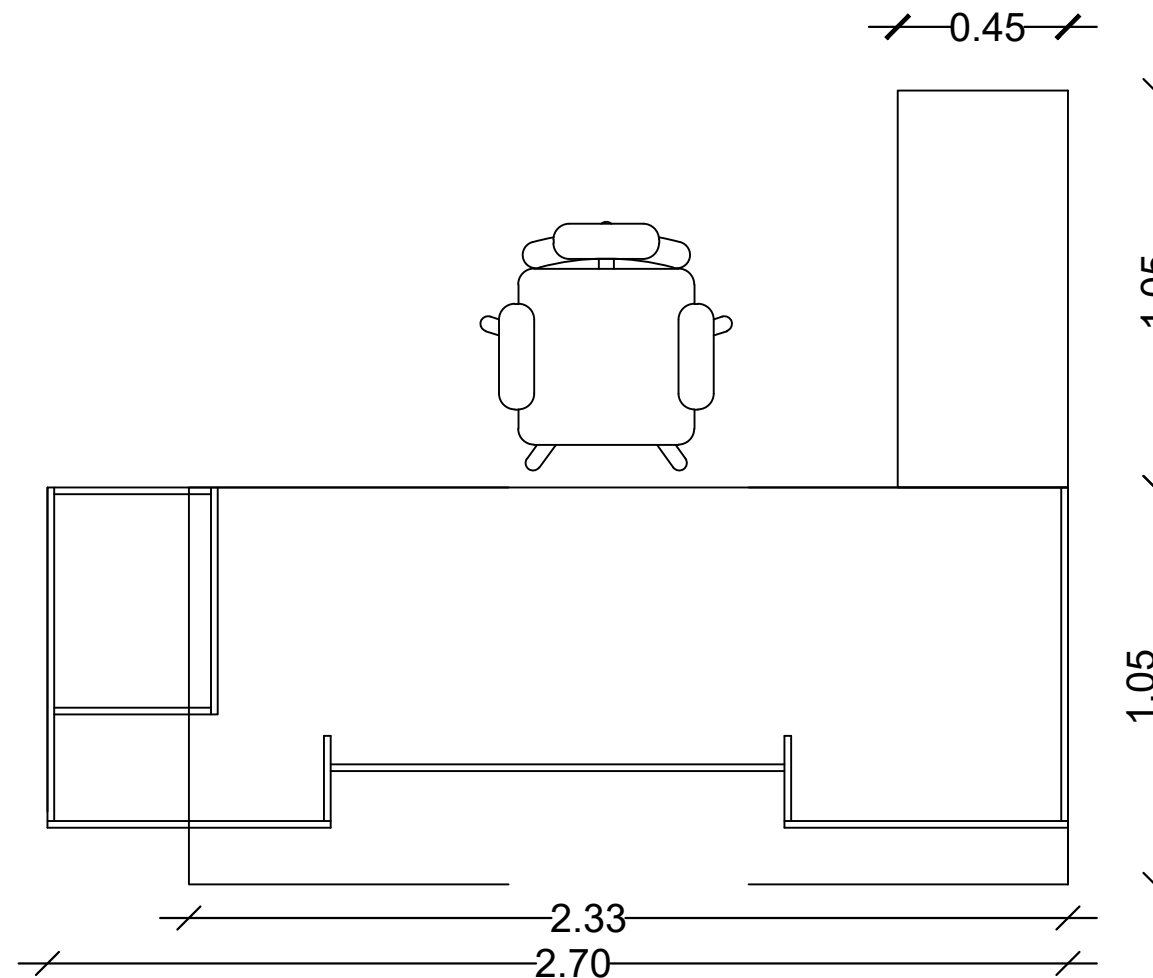
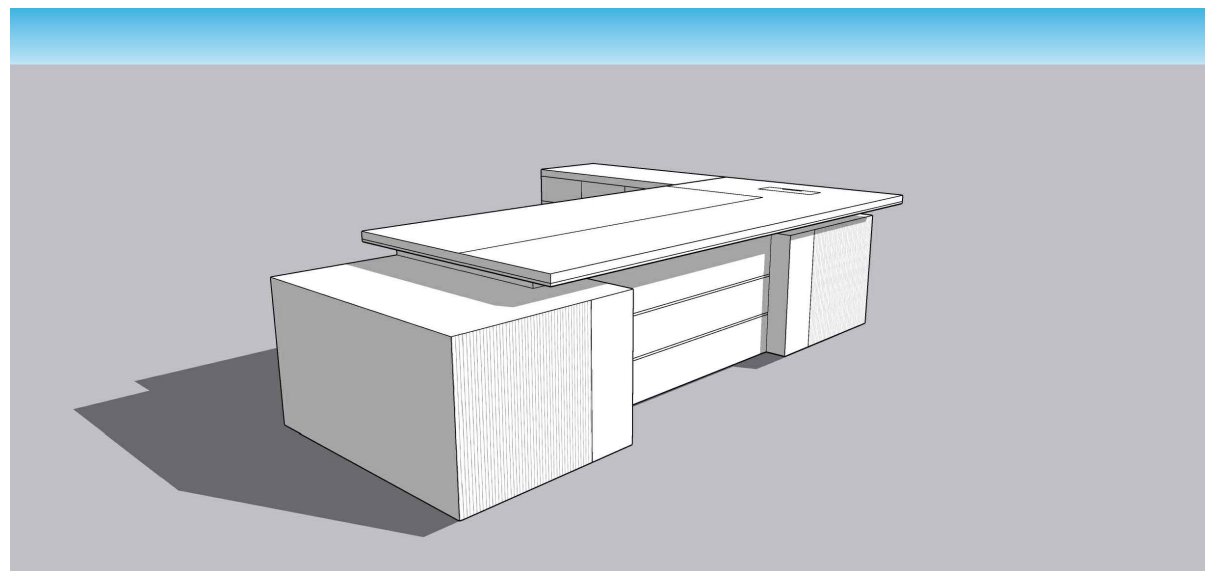
DATE	REV NO	DETAILS



SIDE ELEVATION



FRONT ELEVATION



D.G.M Table

ISSUED ON	CLIENT	CONSTRUCTION	1-R0
	ISSUED TO	ISSUED FOR	COPIES
	JOB NO : SB106	DRAWING NO :	DATE: 17-12-2024
	DRAWN BY :	CHECKED BY :	SCALE :
		MM	

PROJECT :

PROPOSED INTERIOR WORK AT SBI LHO KHARADI

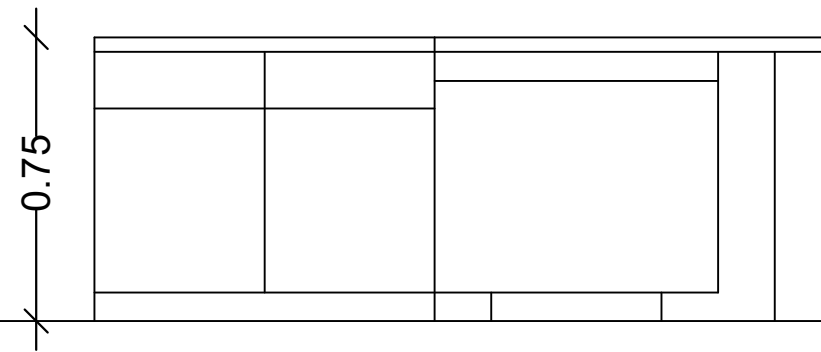
NOTES:

1. THIS DRAWING IS ISSUED FOR CONSTRUCTION AND SHOULD BE USED ONLY FOR THE PURPOSE IT IS ISSUED FOR.
2. ALL DIMENSIONS ARE FROM UNFINISHED TO UNFINISHED SURFACES UNLESS OTHERWISE MENTIONED
3. DO NOT SCALE THIS DRAWING. ALL DIMENSIONS ARE IN MM.
4. ANY DISCREPANCY FOUND IN DRAWINGS SHOULD BE BROUGHT TO THE NOTICE OF THE ARCHITECT BEFORE COMMENCING ANY FURTHER WORK.
5. EXTERNAL PIPELINES TO BE MAINTAINED.
6. ALL CONNECTIONS TO BE CONFIRMED WITH THE ENGINEERS BEFORE PROCEEDING WITH THE WORK.

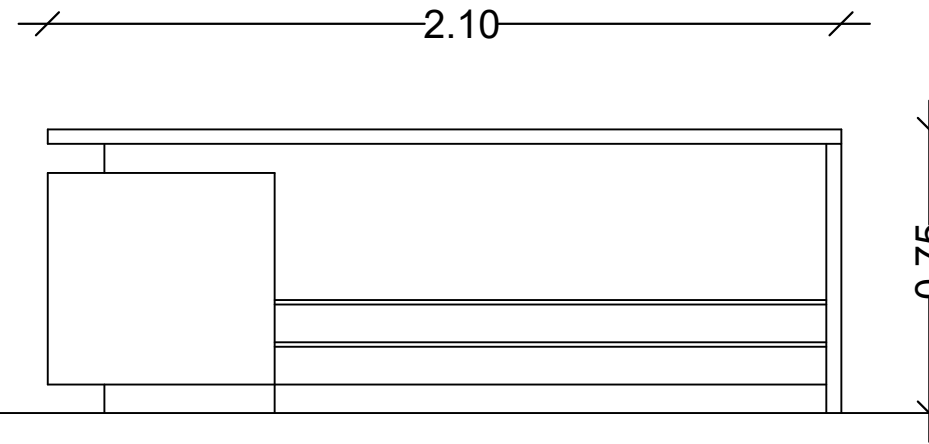
MITIMITRA CONSULTANTS PVT LTD HOLDS THE COPYRIGHT OF THIS DESIGN AS PER THE INDIAN COPY RIGHT ACT, 1957 CLAUSE NO 17 & 18 IN THE CAPACITY OF THE AUTHOR. THIS DRAWING SHOULD NOT BE COPIED, REPRODUCED OR USED WITHOUT THE EXPRESS PERMISSION OF MCPL.

REVISIONS

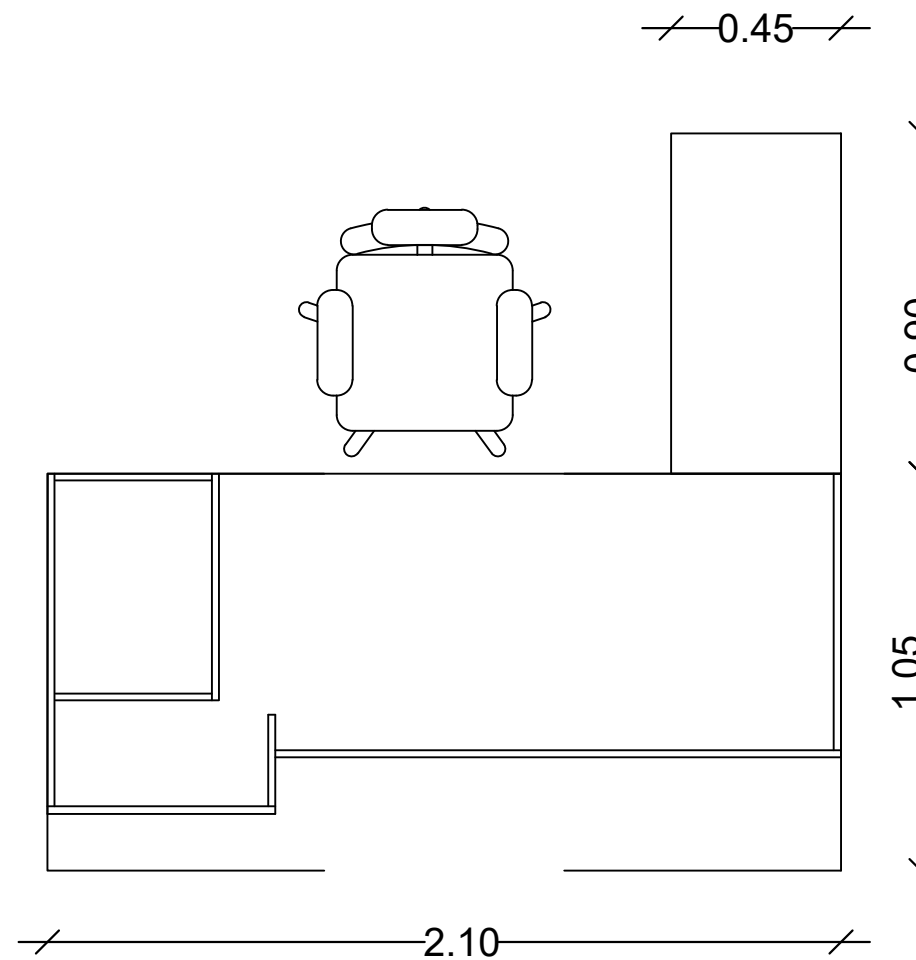
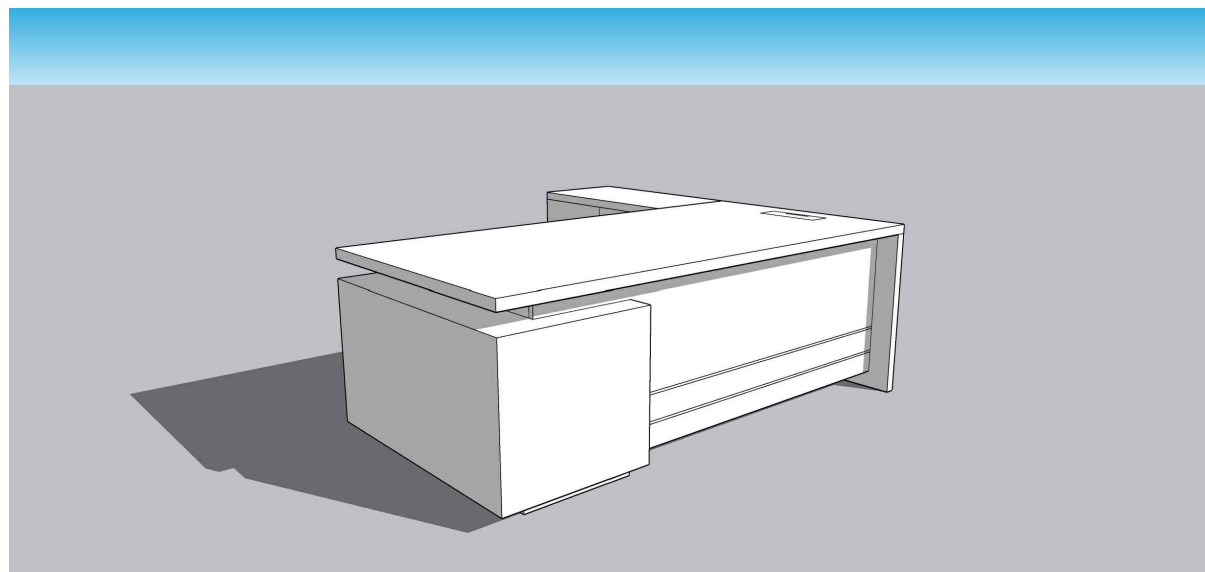
DATE	REV NO	DETAILS



SIDE ELEVATION



FRONT ELEVATION



A.G.M Table

ISSUED ON	CLIENT	CONSTRUCTION	1-R0
	ISSUED TO	ISSUED FOR	COPIES
	JOB NO : SBI06	DRAWING NO :	DATE: 17-12-2024
	DRAWN BY :	CHECKED BY : MM	SCALE :

PROJECT :

PROPOSED INTERIOR WORK AT SBI LHO KHARADI

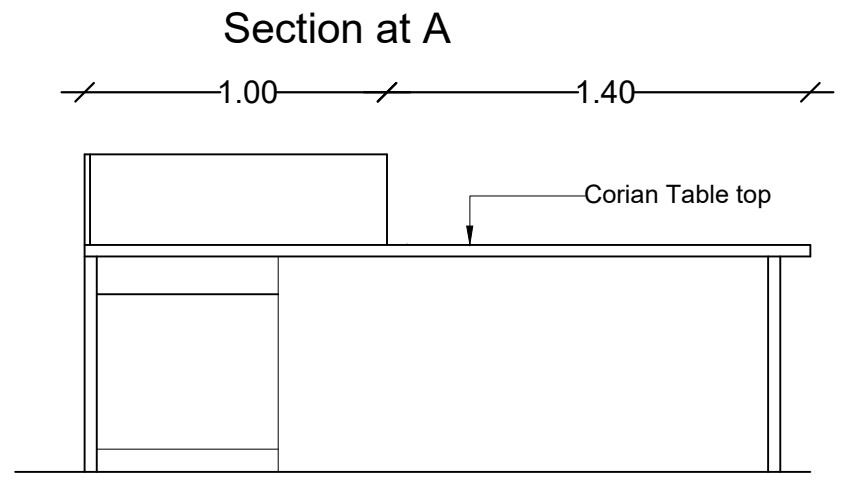
NOTES:

1. THIS DRAWING IS ISSUED FOR CONSTRUCTION AND SHOULD BE USED ONLY FOR THE PURPOSE IT IS ISSUED FOR.
2. ALL DIMENSIONS ARE FROM UNFINISHED TO UNFINISHED SURFACES UNLESS OTHERWISE MENTIONED
3. DO NOT SCALE THIS DRAWING. ALL DIMENSIONS ARE IN MM.
4. ANY DISCREPANCY FOUND IN DRAWINGS SHOULD BE BROUGHT TO THE NOTICE OF THE ARCHITECT BEFORE COMMENCING ANY FURTHER WORK.
5. EXTERNAL PIPELINES TO BE MAINTAINED.
6. ALL CONNECTIONS TO BE CONFIRMED WITH THE ENGINEERS BEFORE PROCEEDING WITH THE WORK.

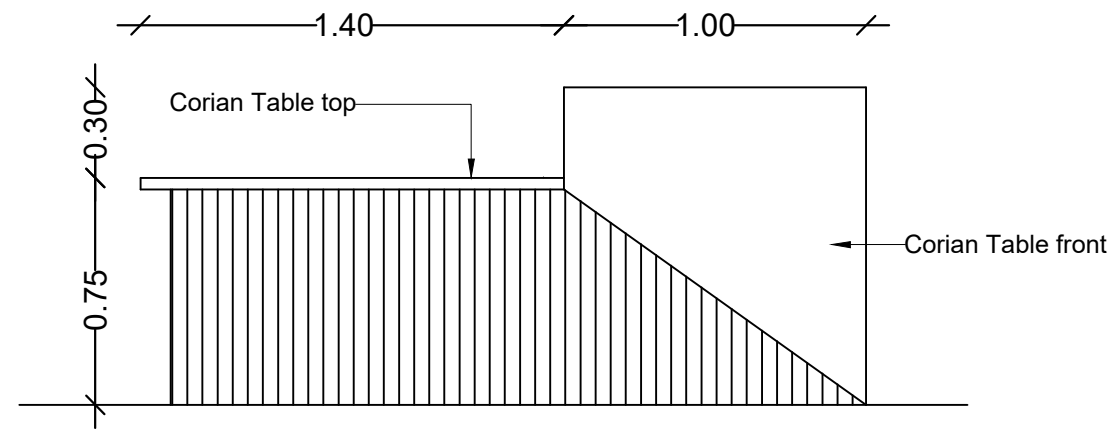
MITIMITRA CONSULTANTS PVT LTD HOLDS THE COPYRIGHT OF THIS DESIGN AS PER THE INDIAN COPY RIGHT ACT, 1957 CLAUSE NO 17 & 18 IN THE CAPACITY OF THE AUTHOR. THIS DRAWING SHOULD NOT BE COPIED, REPRODUCED OR USED WITHOUT THE EXPRESS PERMISSION OF MCPL.

REVISIONS

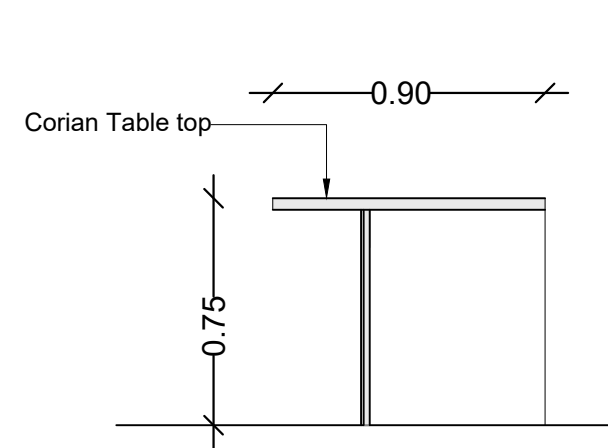
DATE	REV NO	DETAILS



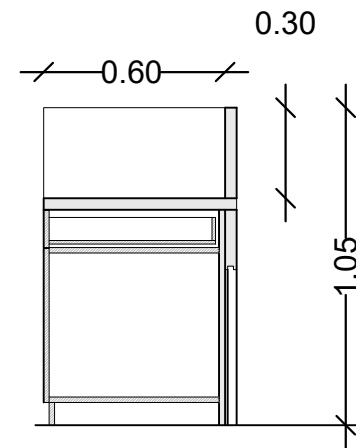
USER SIDE ELEVATION



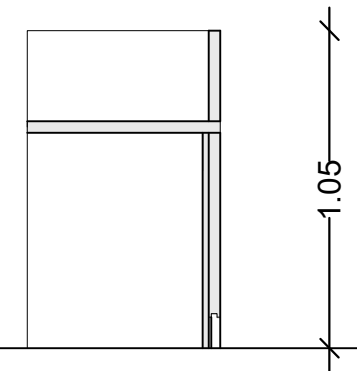
FRONT ELEVATION



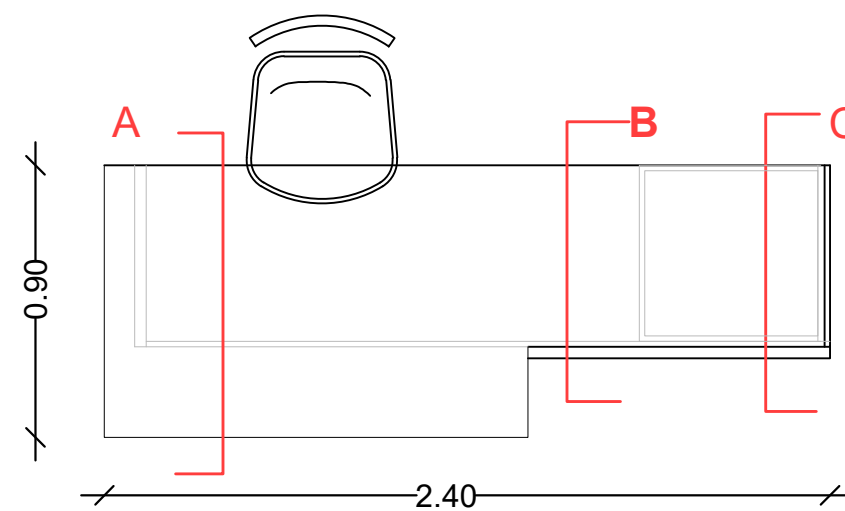
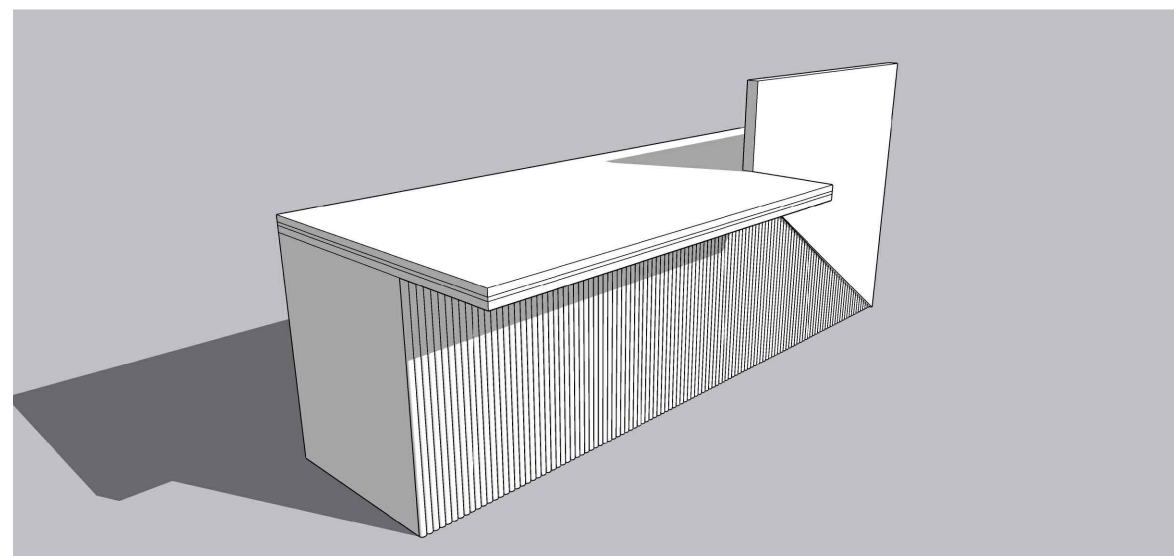
SECTION AT A



SECTION AT B



SECTION AT C



RECEPTION TABLE - FF

ISSUED ON	CLIENT	CONSTRUCTION	1-R0
	ISSUED TO	ISSUED FOR	COPIES
	JOB NO : SBI06	DRAWING NO :	DATE: 17-12-2024
	DRAWN BY :	CHECKED BY : MM	SCALE :

PROJECT :
PROPOSED INTERIOR WORK AT SBI LHO KHARADI

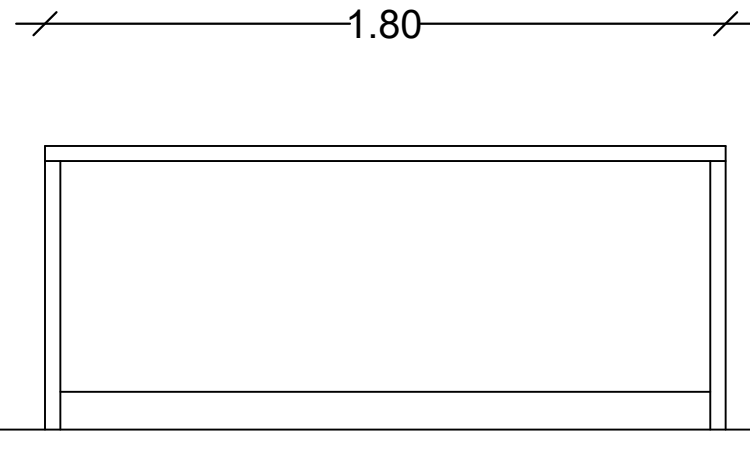
NOTES:

1. THIS DRAWING IS ISSUED FOR CONSTRUCTION AND SHOULD BE USED ONLY FOR THE PURPOSE IT IS ISSUED FOR.
2. ALL DIMENSIONS ARE FROM UNFINISHED TO UNFINISHED SURFACES UNLESS OTHERWISE MENTIONED
3. DO NOT SCALE THIS DRAWING. ALL DIMENSIONS ARE IN MM.
4. ANY DISCREPANCY FOUND IN DRAWINGS SHOULD BE BROUGHT TO THE NOTICE OF THE ARCHITECT BEFORE COMMENCING ANY FURTHER WORK.
5. EXTERNAL PIPELINES TO BE MAINTAINED.
6. ALL CONNECTIONS TO BE CONFIRMED WITH THE ENGINEERS BEFORE PROCEEDING WITH THE WORK.

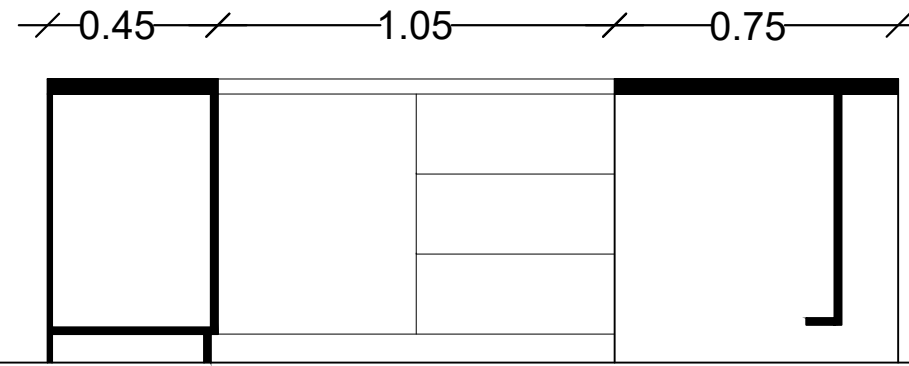
MITIMITRA CONSULTANTS PVT LTD HOLDS THE COPYRIGHT OF THIS DESIGN AS PER THE INDIAN COPY RIGHT ACT, 1957 CLAUSE NO 17 & 18 IN THE CAPACITY OF THE AUTHOR. THIS DRAWING SHOULD NOT BE COPIED, REPRODUCED OR USED WITHOUT THE EXPRESS PERMISSION OF MCPL.

REVISIONS

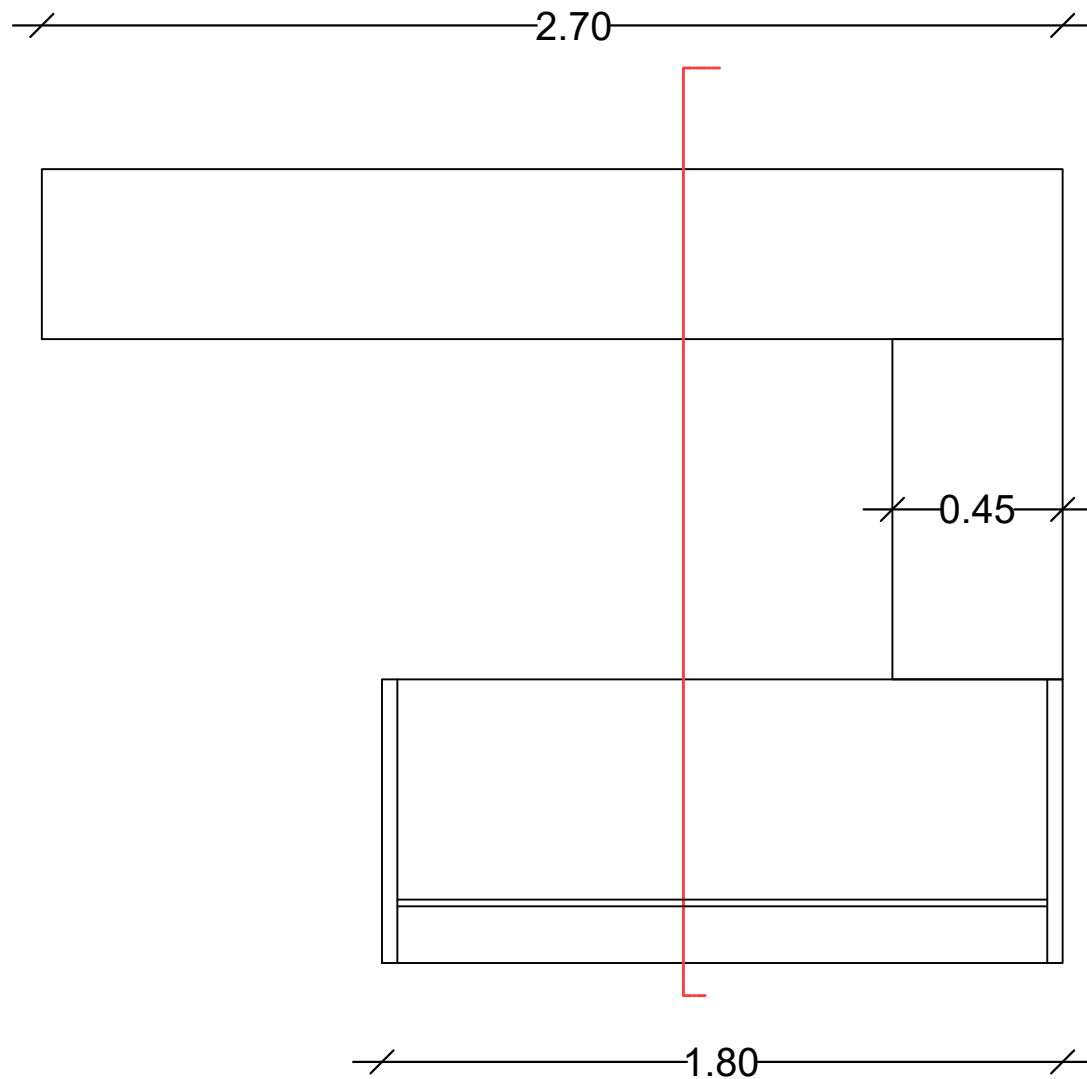
DATE	REV NO	DETAILS



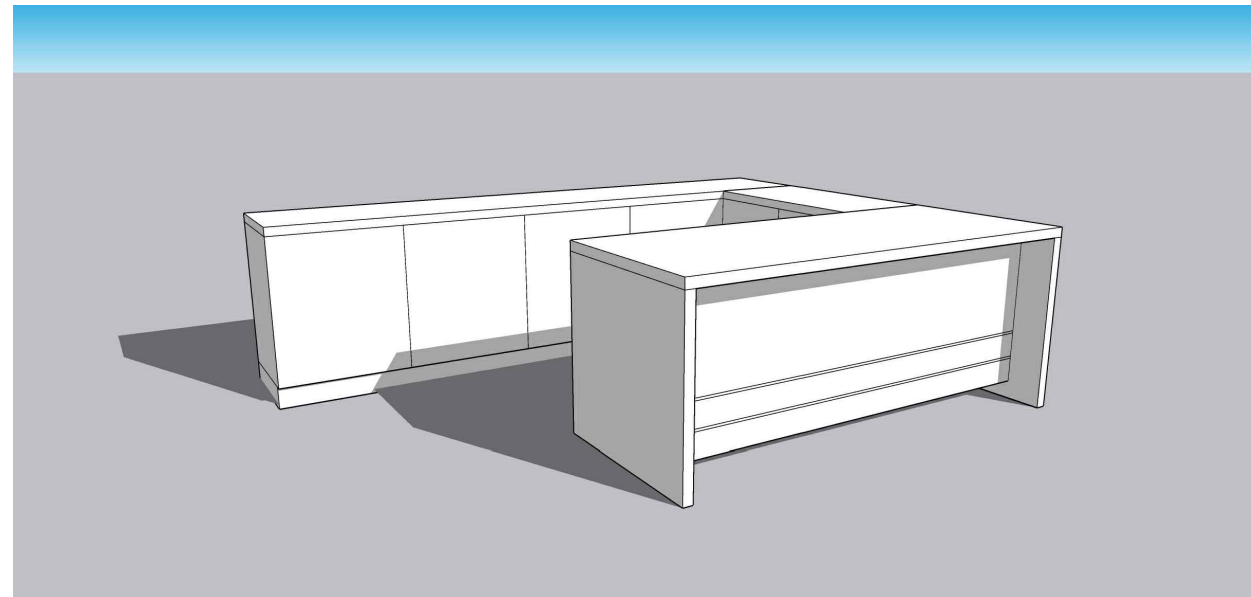
front elevation

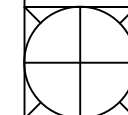


Sectional elevation



C.M/SO Table



ISSUED ON	CLIENT	CONSTRUCTION	1-R0
	ISSUED TO	ISSUED FOR	COPIES
	JOB NO : SBI06	DRAWING NO :	DATE: 17-12-2024
	DRAWN BY :	CHECKED BY : MM	SCALE :

PROJECT :
PROPOSED INTERIOR WORK AT SBI LHO KHARADI

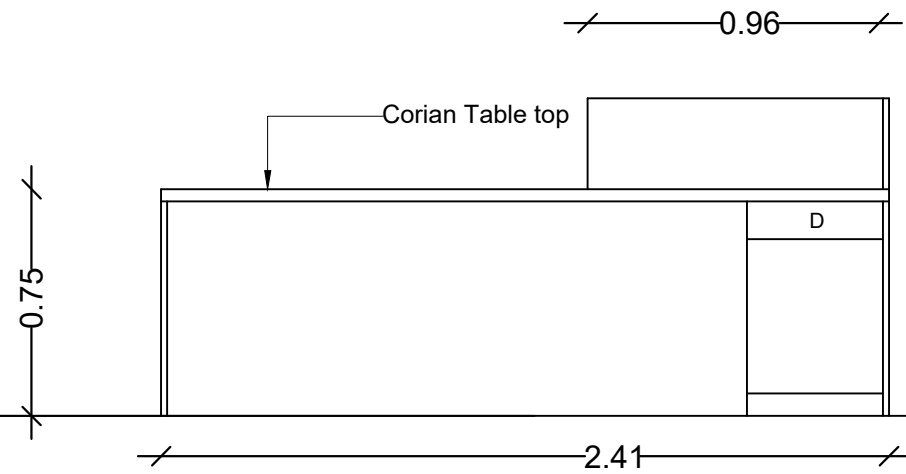
NOTES:

1. THIS DRAWING IS ISSUED FOR CONSTRUCTION AND SHOULD BE USED ONLY FOR THE PURPOSE IT IS ISSUED FOR.
2. ALL DIMENSIONS ARE FROM UNFINISHED TO UNFINISHED SURFACES UNLESS OTHERWISE MENTIONED
3. DO NOT SCALE THIS DRAWING. ALL DIMENSIONS ARE IN MM.
4. ANY DISCREPANCY FOUND IN DRAWINGS SHOULD BE BROUGHT TO THE NOTICE OF THE ARCHITECT BEFORE COMMENCING ANY FURTHER WORK.
5. EXTERNAL PIPELINES TO BE MAINTAINED.
6. ALL CONNECTIONS TO BE CONFIRMED WITH THE ENGINEERS BEFORE PROCEEDING WITH THE WORK.

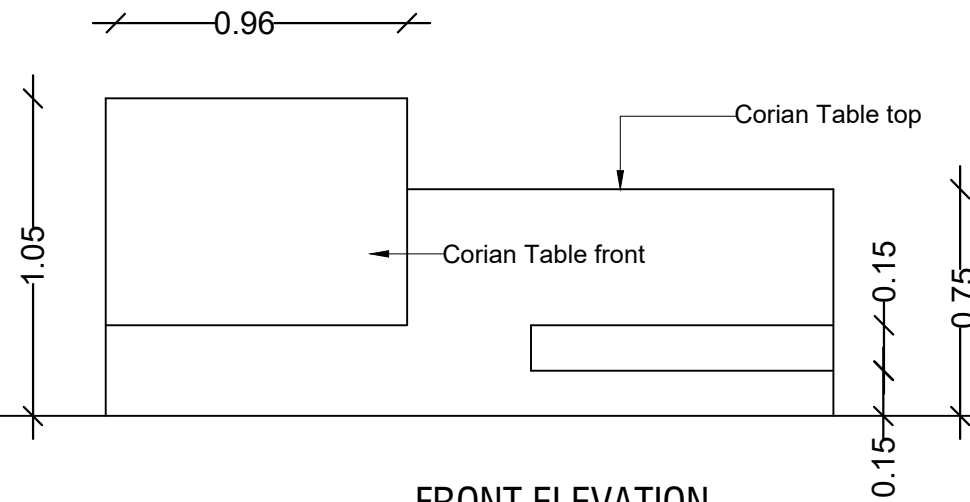
MITIMITRA CONSULTANTS PVT LTD HOLDS THE COPYRIGHT OF THIS DESIGN AS PER THE INDIAN COPY RIGHT ACT, 1957 CLAUSE NO 17 & 18 IN THE CAPACITY OF THE AUTHOR. THIS DRAWING SHOULD NOT BE COPIED, REPRODUCED OR USED WITHOUT THE EXPRESS PERMISSION OF MCPL.

REVISIONS

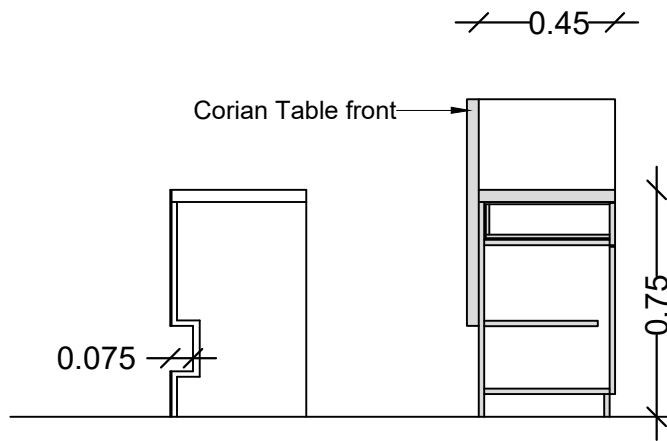
DATE	REV NO	DETAILS



USER SIDE ELEVATION

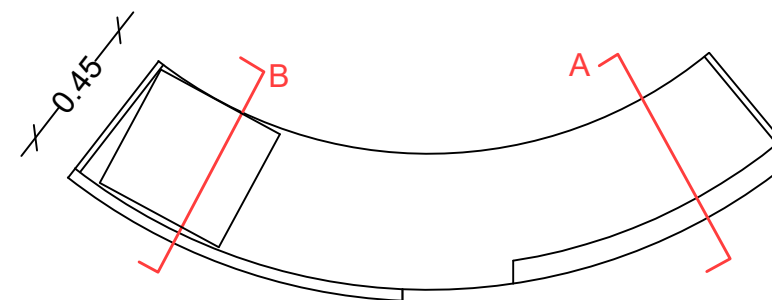
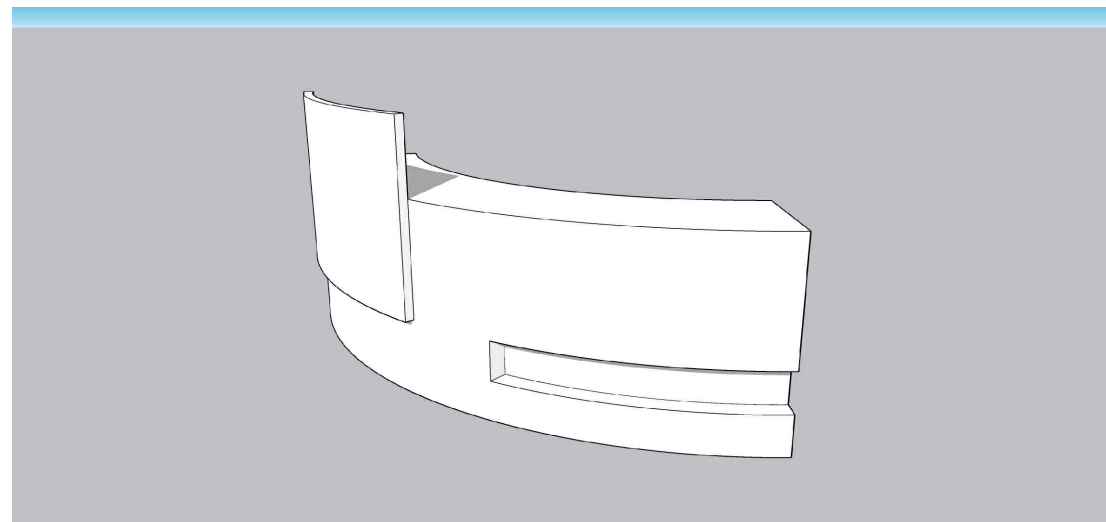


FRONT ELEVATION



SECTION A

SECTION B



RECEPTION TABLE

RECEPTION TABLE - SF/TF

ISSUED ON	CLIENT	CONSTRUCTION	1-R0
	ISSUED TO	ISSUED FOR	COPIES
	JOB NO : SBI06	DRAWING NO :	DATE: 17-12-2024
	DRAWN BY :	CHECKED BY :	SCALE :
		MM	

PROJECT :

PROPOSED INTERIOR WORK AT SBI LHO KHARADI

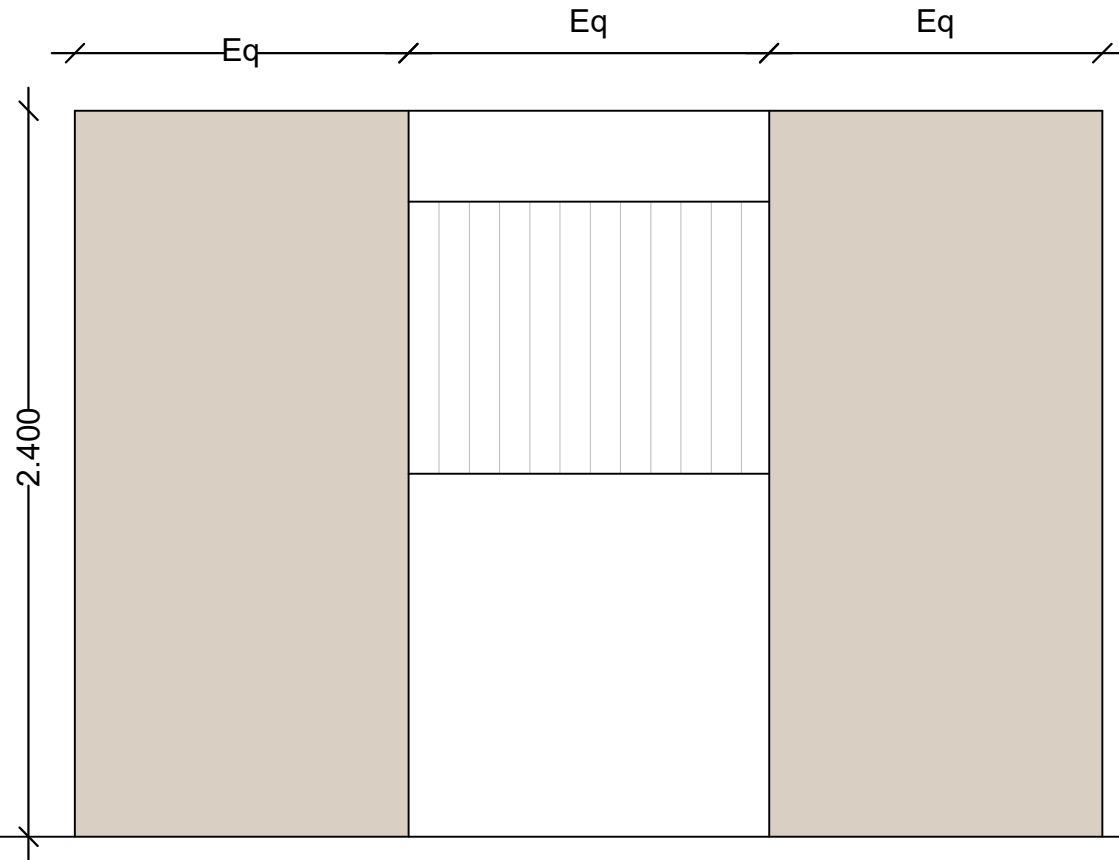
NOTES:

1. THIS DRAWING IS ISSUED FOR CONSTRUCTION AND SHOULD BE USED ONLY FOR THE PURPOSE IT IS ISSUED FOR.
2. ALL DIMENSIONS ARE FROM UNFINISHED TO UNFINISHED SURFACES UNLESS OTHERWISE MENTIONED
3. DO NOT SCALE THIS DRAWING. ALL DIMENSIONS ARE IN MM.
4. ANY DISCREPANCY FOUND IN DRAWINGS SHOULD BE BROUGHT TO THE NOTICE OF THE ARCHITECT BEFORE COMMENCING ANY FURTHER WORK.
5. EXTERNAL PIPELINES TO BE MAINTAINED.
6. ALL CONNECTIONS TO BE CONFIRMED WITH THE ENGINEERS BEFORE PROCEEDING WITH THE WORK.

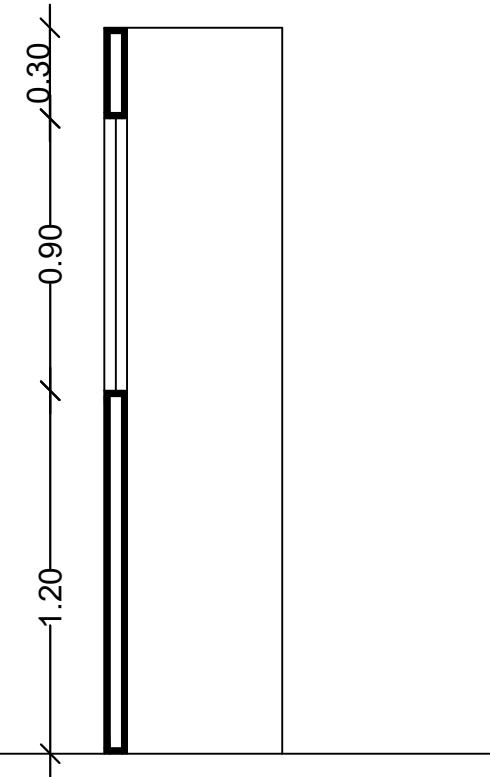
MITIMITRA CONSULTANTS PVT LTD HOLDS THE COPYRIGHT OF THIS DESIGN AS PER THE INDIAN COPY RIGHT ACT, 1957 CLAUSE NO 17 & 18 IN THE CAPACITY OF THE AUTHOR. THIS DRAWING SHOULD NOT BE COPIED, REPRODUCED OR USED WITHOUT THE EXPRESS PERMISSION OF MCPL.

REVISIONS

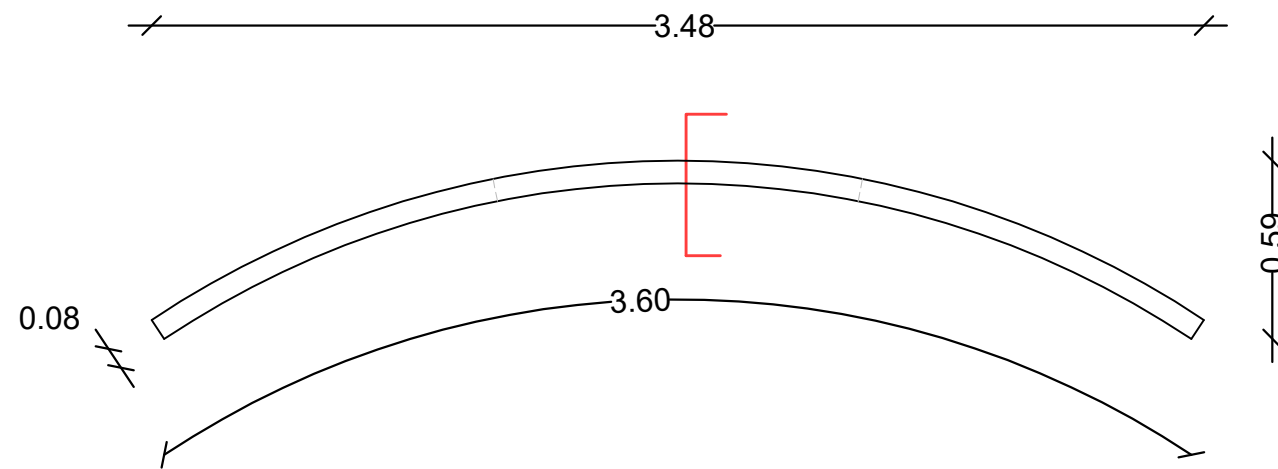
DATE	REV NO	DETAILS



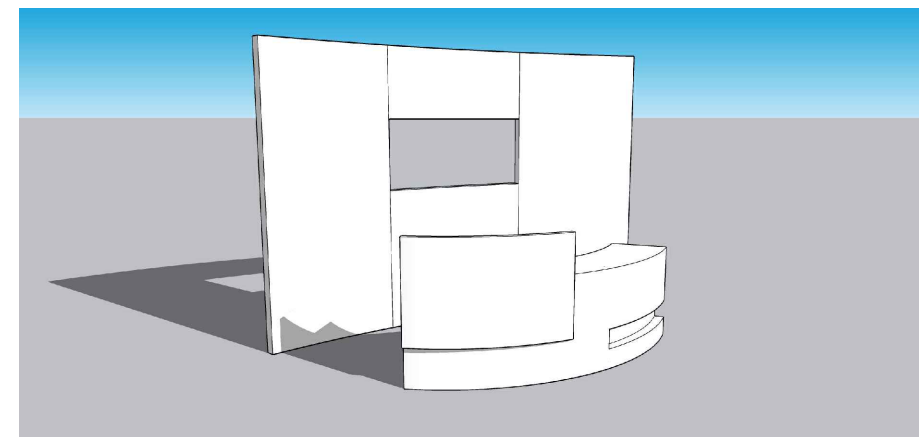
FRONT ELEVATION



SECTIONAL ELEVATION



Reception Back panel - SF/TF



ISSUED ON	CLIENT	CONSTRUCTION	1-R0
	ISSUED TO	ISSUED FOR	COPIES
	JOB NO : SBI06	DRAWING NO :	DATE: 17-12-2024
	DRAWN BY :	CHECKED BY :	SCALE :
		MM	

PROJECT :

PROPOSED INTERIOR WORK AT SBI LHO KHARADI

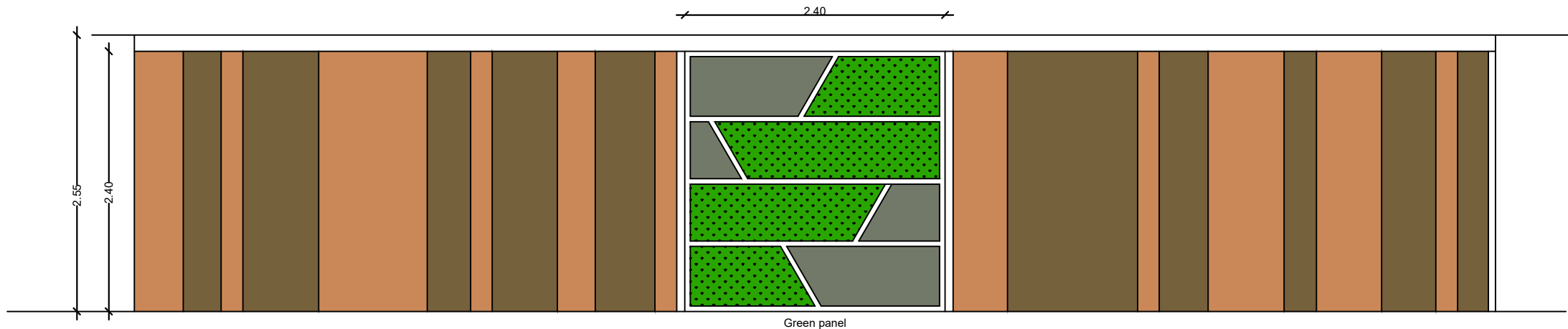
NOTES:

1. THIS DRAWING IS ISSUED FOR CONSTRUCTION AND SHOULD BE USED ONLY FOR THE PURPOSE IT IS ISSUED FOR.
2. ALL DIMENSIONS ARE FROM UNFINISHED TO UNFINISHED SURFACES UNLESS OTHERWISE MENTIONED
3. DO NOT SCALE THIS DRAWING.ALL DIMENSIONS ARE IN MM.
4. ANY DISCREPANCY FOUND IN DRAWINGS SHOULD BE BROUGHT TO THE NOTICE OF THE ARCHITECT BEFORE COMMENCING ANY FURTHER WORK.
5. EXTERNAL PIPELINES TO BE MAINTAINED.
6. ALL CONNECTIONS TO BE CONFIRMED WITH THE ENGINEERS BEFORE PROCEEDING WITH THE WORK.

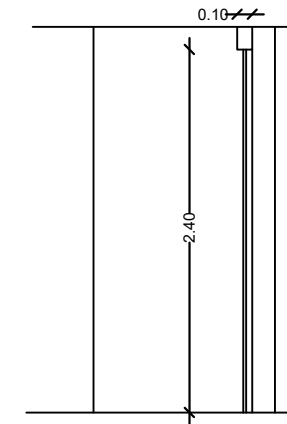
MITIMITRA CONSULTANTS PVT LTD HOLDS THE COPYRIGHT OF THIS DESIGN AS PER THE INDIAN COPY RIGHT ACT, 1957 CLAUSE NO 17 & 18 IN THE CAPACITY OF THE AUTHOR. THIS DRAWING SHOULD NOT BE COPIED, REPRODUCED OR USED WITHOUT THE EXPRESS PERMISSION OF MCPL.

REVISIONS

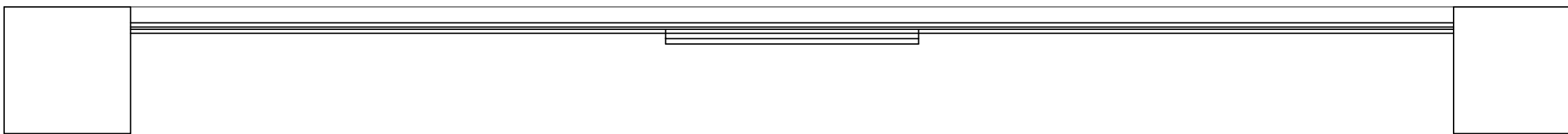
DATE	REV NO	DETAILS



ELEVATION



SECTIONAL ELEVATION



PLAN

Reception Back panel - FF



ISSUED ON	CLIENT	CONSTRUCTION	1-R0
	ISSUED TO	ISSUED FOR	COPIES
	JOB NO : SB106	DRAWING NO :	DATE: 17-12-2024
	DRAWN BY :	CHECKED BY : MM	SCALE :

PROJECT :

PROPOSED INTERIOR WORK AT SBI LHO KHARADI